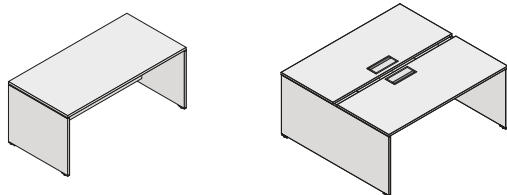


TIPOLOGIE SCRIVANIE

typology desks

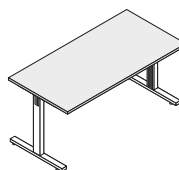
OXI_P

Scrivanie e bench pannellati
Desks and bench with panel base



OXI_T

Scrivanie con gambe a "T"
Desks with "T" legs

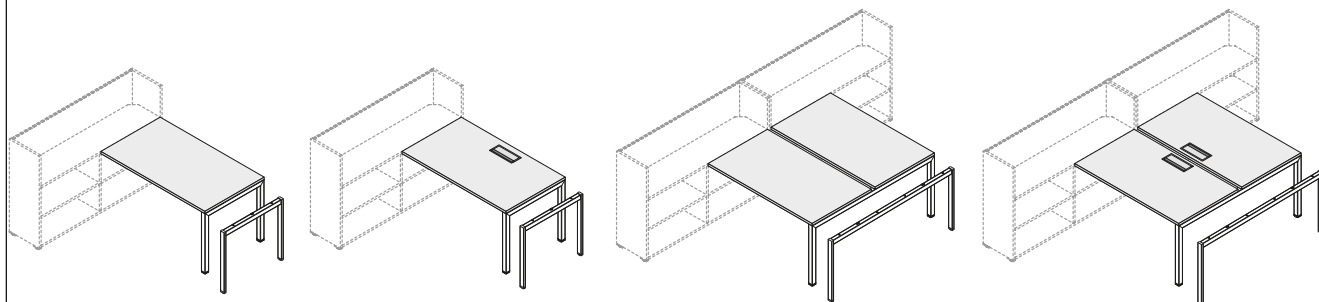
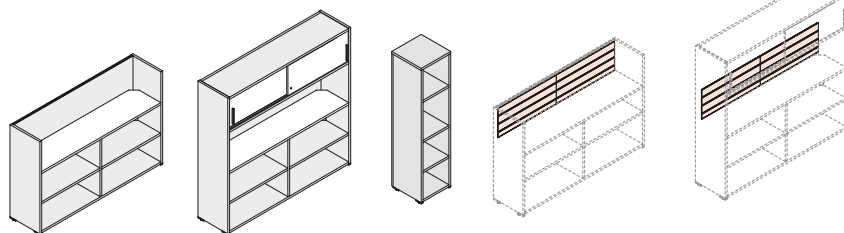
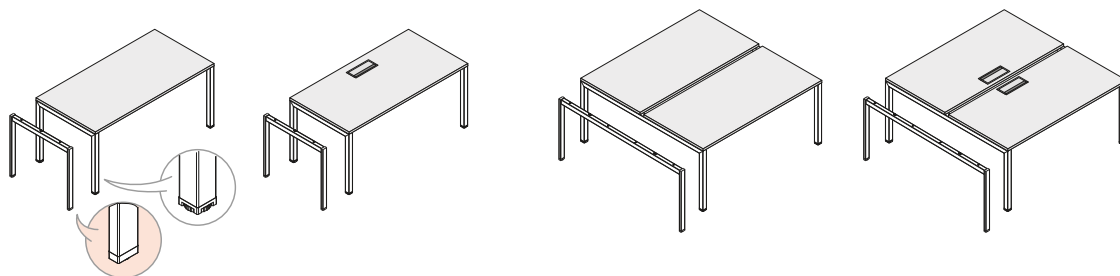


OXI_Q

Scrivanie e bench gambe a ponte sezione quadrata
Desks and bench with bridge legs with squared section

OXI_R

Scrivanie e bench gambe a ponte sezione rettangolare
Desks and bench with bridge legs with rectangular section

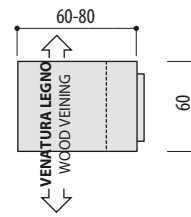
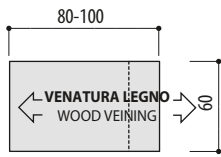


ELEMENTI COMUNI_shared elements

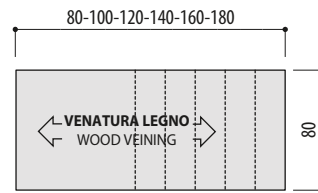
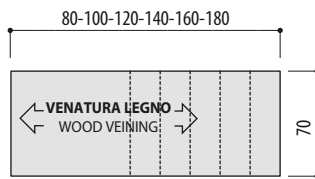
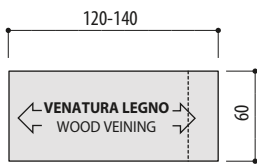
- SCHIENE SCRIVANIE
- VASCHETTE PORTACAVI
- COPERTURE CENTRALI
- PIANI SCRIVANIE E WORKSTATION
- PENISOLA E ANGOLO DI RACCORDO
- PARETINE
- ACCESSORI PER COMBY E PARETINE
- TAVOLI RIUNIONE
- modesty panels
- cable trays
- central covers
- desk tops and workstation tops
- terminal and joining segment
- partition panels
- accessories for comby and partition panels
- meeting tables

DIMENSIONI SCRIVANIE E VENATURE
dimensions of desks and wood veinings

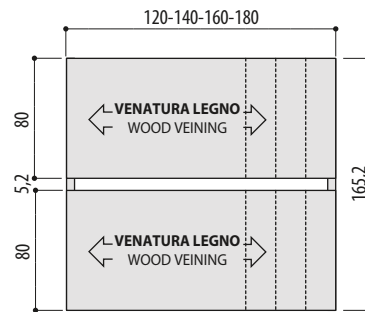
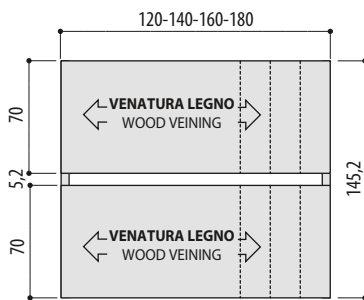
ALLUNGHI
 EXTENSION



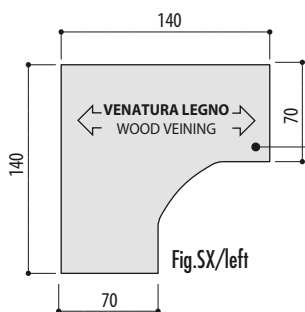
SCRIVANIE
 DESKS



BENCH



WORKSTATION SIMMETRICA
 SYMMETRICAL WORKSTATION



ART.009
ART.027
ART.624
ART.735

ART.008
ART.026
ART.623
ART.734

